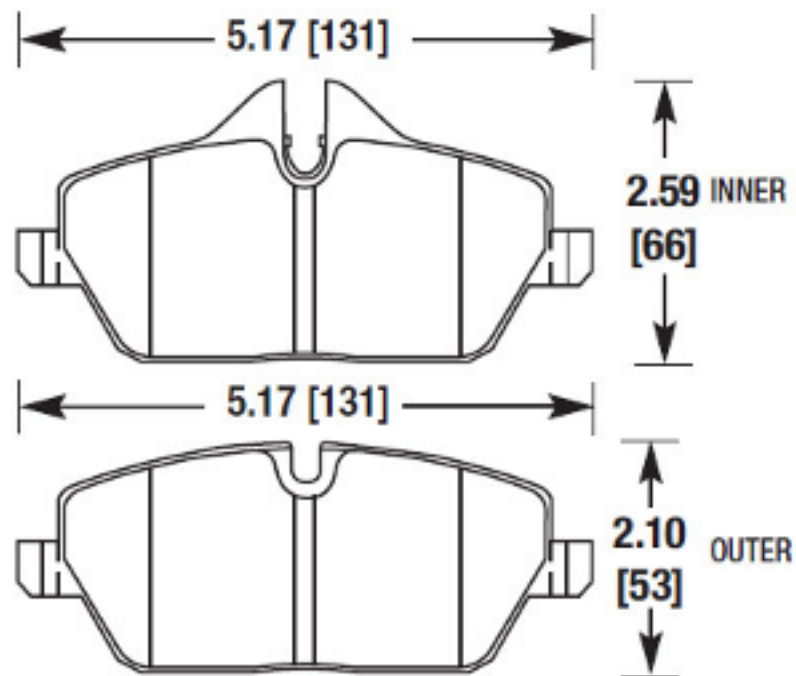


	Submodel	Liter	Year Range	Notes	Front	Rear
Mini Cooper	Clubman	All	2008-2010		HB570x.666	HB574x.636
Mini Cooper	Convertible	All	2007-2008	john cooper works	HB560x.677	HB445x.610
Mini Cooper	Convertible	All	2007-2009		HB444x.685	HB445x.610
Mini Cooper	S	All	2002-2006		HB444x.685	HB445x.610
Mini Cooper	S	All	2006-2008	john cooper works	HB560x.677	HB445x.610
Mini Cooper	S	All	2007-2010		HB560x.677	HB574x.636
Mini Cooper	S Clubman	All	2008-2010		HB560x.677	HB574x.636
Mini Cooper	S Convertible	All	2007-2008	john cooper works	HB560x.677	HB445x.610
Mini Cooper	S Convertible	All	2007-2009		HB444x.685	HB445x.610
Mini Cooper		All	2002-2006		HB444x.685	HB445x.610
Mini Cooper		All	2006-2006	john cooper works	HB560x.677	HB445x.610
Mini Cooper		All	2007-2008		HB570x.666	HB574x.636
Mini Cooper		All	2009-2010	john cooper works	HB640x.550	HB574x.636
Replace "x" with compound code						
RACE COMPOUND CODES	STREET COMPOUND COADS					
DTC-70 - U	HPS Performance Street - F					
DTC-60 - G	Performance Ceramic - Z					
DTC-30 - W	LTS Light Truck & SUV - Y					
DTC-15 - A	SuperDuty - P					
DTC-05 - H						
HT-14 - V						
HT-10 - S						
MT-4 - L						
Blue 9012 - E						
Black - M						
DR-97 - J						
HP Plus - N						



HB570

F, Z, N | FMSI D1308 | .666 [17]



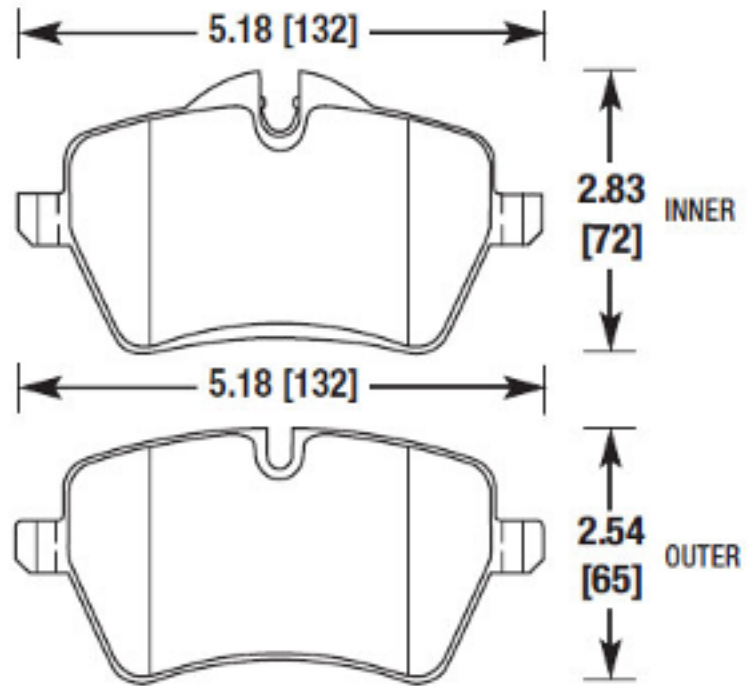
MINI COOPER STANDARD BRAKES

HB580

F, Z, N, G

FMSI D1204

.677 [17]



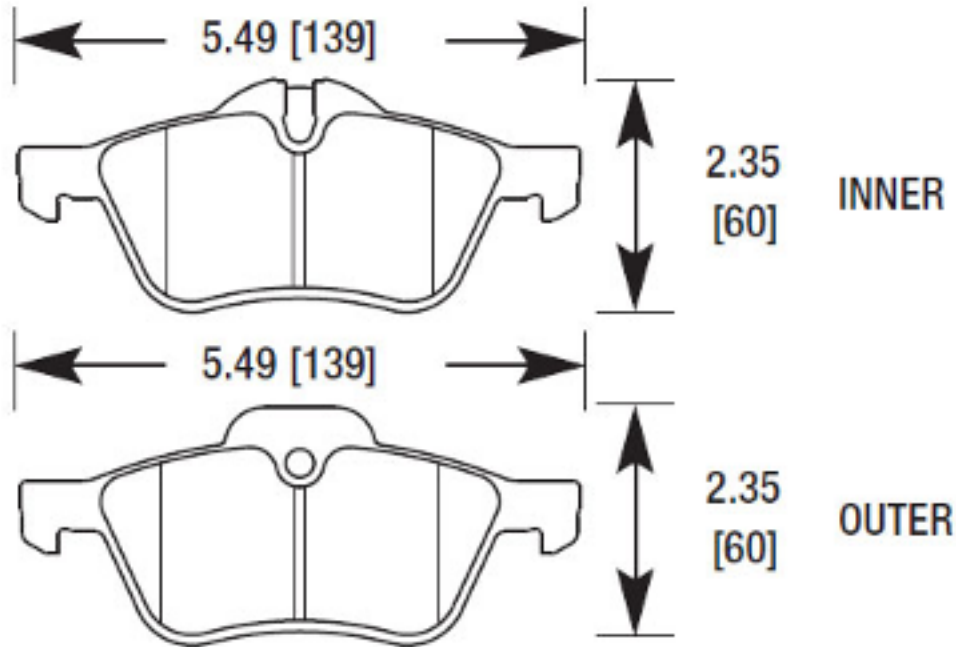
MINI COOPER (REAR)

HB444

F, Z, N, G
W, V, S, E

FMSI D939

.685 [17]



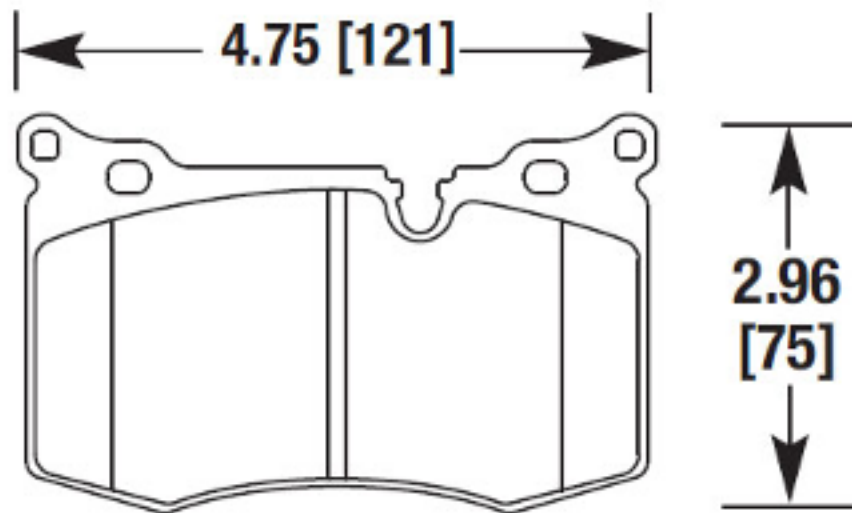
MINI COOPER

HB640

F, Z, N

FMSI D1403

.550 [14]



MINI COOPER JCW

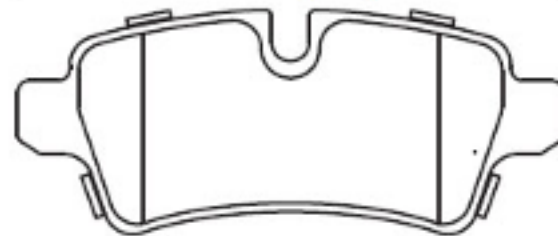
HB574

F, Z, N, G
S, E

FMSI D1309

.636 [16]

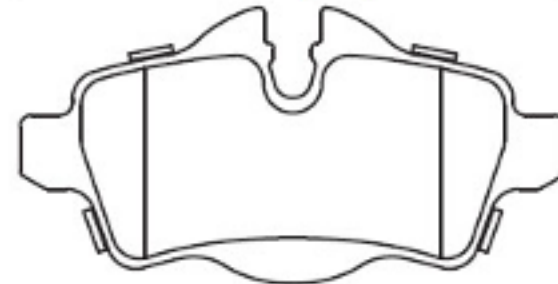
3.76 [96]



1.91
[49]

INNER

3.76 [96]



1.53
[39]

OUTER

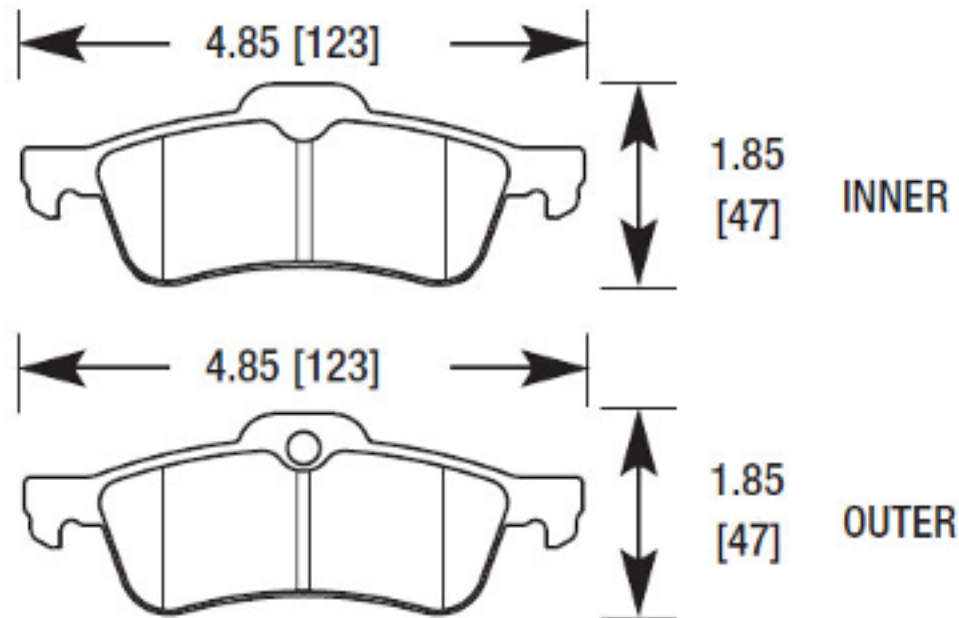
MINI COOPER (REAR)

HB445

F, Z, N, G
S, E, W

FMSI D940
FMSI D1060

.610 [15]



MINI COOPER (REAR)