

Make/Model	Submodel	Liter	Year Range	Notes	Front	Rear
Miata	Mazdaspeed	all	2004-2005		HB431x.606	HB159x.492
Miata		all	1990-1993		HB148x.560	HB157x.484
Miata		all	1997-1997		HB149x.505	HB159x.492
Miata		all	1999-2000		HB149x.505	HB159x.492
Miata		all	2001-2003	w/o sport suspension	HB149x.505	HB159x.492
Miata		all	2001-2005	w/ sport suspension	HB431x.606	HB442x.496
MX-5 Miata	Club spec	all	2006-2006		HB522x.565	HB523x.539
MX-5 Miata	Grand Touring	all	2006-2010		HB522x.565	HB523x.539
MX-5 Miata	Sport	all	2006-2010		HB522x.565	HB523x.539
MX-5 Miata	SV	all	2006-2010		HB522x.565	HB523x.539
MX-5 Miata	Touring	all	2006-2010		HB522x.565	HB523x.539
MX-5 Miata		all	2006-2010		HB522x.565	HB523x.539
<b>Replace "x" with compound code</b>						
RACE COMPOUND CODES	STREET COMPOUND COADS					
DTC-70 - U	HPS Performance Street - F					
DTC-60 - G	Performance Ceramic - Z					
DTC-30 - W	LTS Light Truck & SUV - Y					
DTC-15 - A	SuperDuty - P					
DTC-05 - H						
HT-14 - V						
HT-10 - S						
MT-4 - L						
Blue 9012 - E						
Black - M						
DR-97 - J						
HP Plus - N						



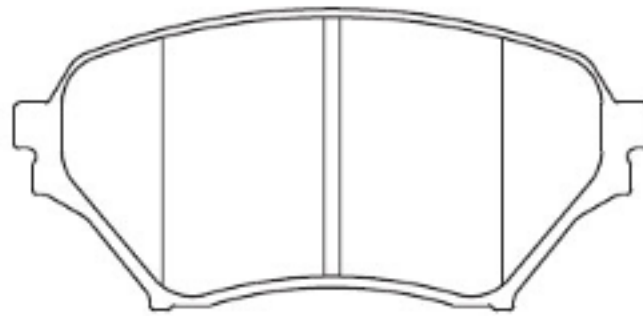
# HB431

F, Z, N, W,  
V, S, E

FMSI D890

.606 [15]

4.84 [123]



2.30  
[58]

MAZDA MIATA

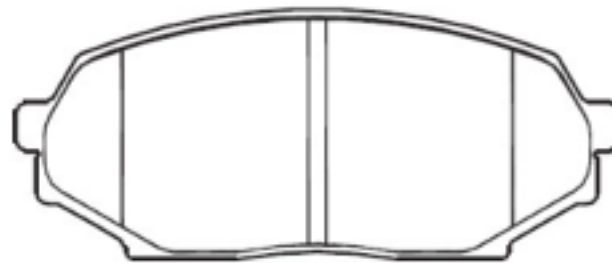
# HB148

F, Z, N, G  
W, S, E, M

FMSI D457  
FMSI D468  
FMSI D525

.560 [14]

4.34 [110]



1.81  
[46]

GEO, ISUZU, MAZDA, PONTIAC

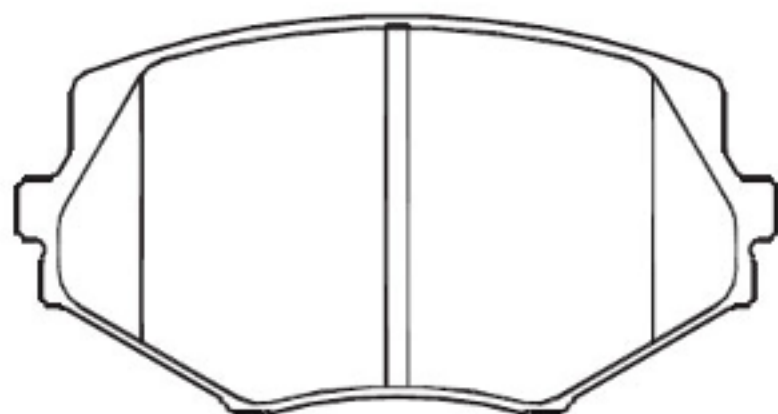
**HB149**

F, Z, N, G  
W, S, E, M

FMSI D635

.505 [13]

4.33 [110]



2.25  
[57]

MAZDA MIATA

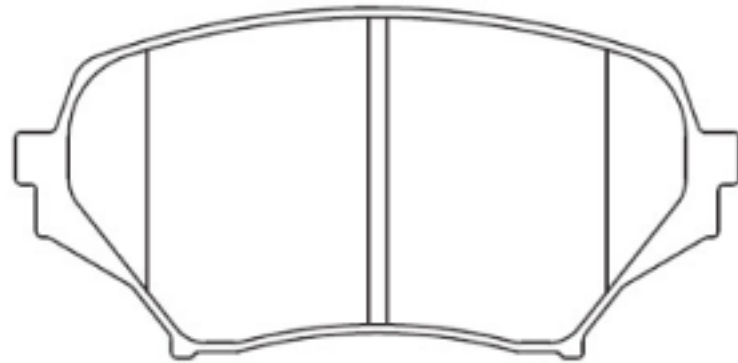
**HB522**

F, N, U, G  
S, E

FMSI D1179

.565 [14]

4.84 [123]



2.23  
[57]

MAZDA MIATA MX-5

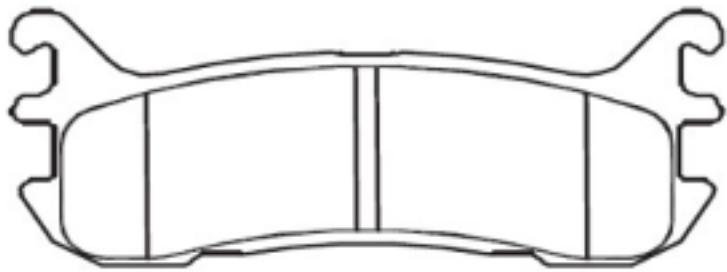
**HB159**

F, Z, N, G  
W, S, E, M

FMSI D636  
FMSI D663

.492 [12]

4.02 [102]



1.69  
[43]

FORD, MAZDA, MERCURY (REAR)

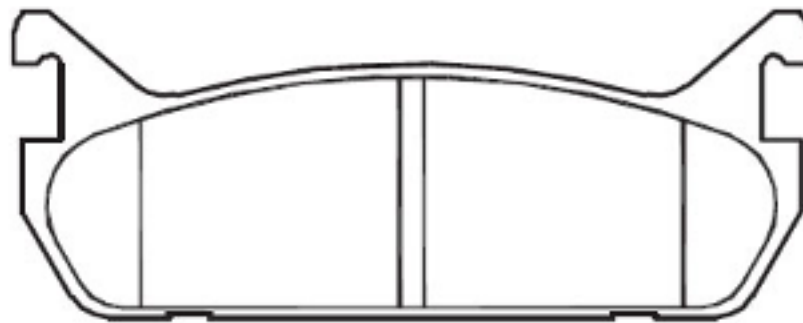
# HB157

F, Z, N, G  
W, E, M

FMSI D458

.484 [12]

4.02 [102]



1.54  
[39]

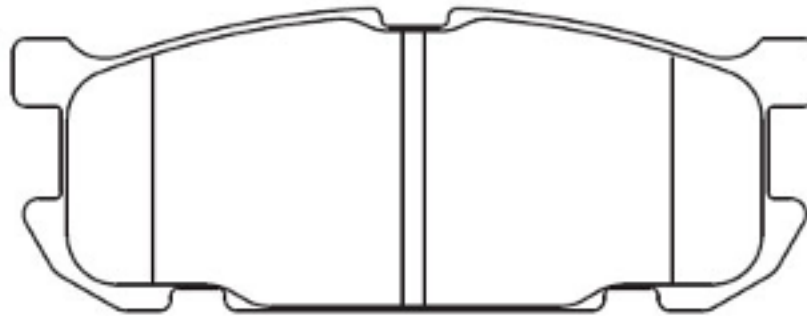
FORD, MAZDA, MERCURY (REAR)

**F, N, W, S  
E**

**FMSI D891**

**.496 [13]**

**4.01 [102]**



**1.56  
[40]**

**MAZDA MIATA (REAR)**

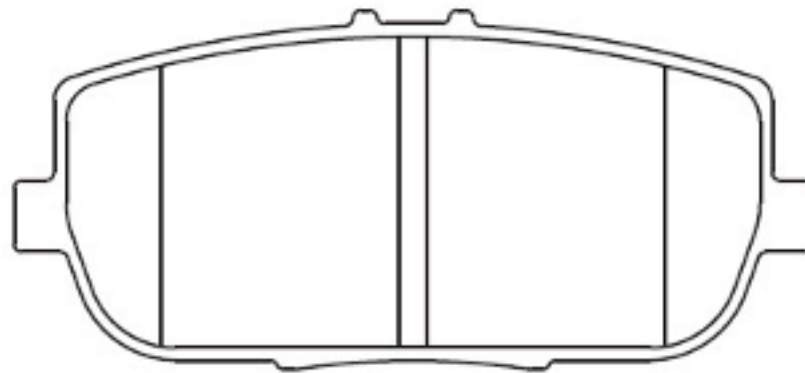
# HB523

F, N, G, W  
S, E

FMSI D1180

.539 [14]

3.90 [99]



1.71  
[43]

MAZDA MIATA MX-5 (REAR)